



- 300 mbps 802.11n access point with 5 dBi antennas
- Standards based WPS simplifies secure WLAN setup
- IPv6 6rd and dual stack support
- Auto detect CenturyLink network setting configuration
- Remote provisioning, monitoring, and management via TR-069
- CenturyLink Standard GUI

PK5001Z 802.11n ADSL2+ Wireless Gateway

Benefits

ADSL2+ High Speed Broadband Access

The PK5001Z is based on ADSL2+ standards offering fast access to the Internet while maintaining stable connections delivering enough bandwidth to surf the Internet. Heavy multimedia use, such as simultaneously streaming video/audio content and online-gaming, is faster and smoother with the PK5001Z.

802.11n Wireless Technology

The PK5001Z features 802.11n technology with 5 dBi antennas (2T x 2R) which provides the ultimate solution: improved speed, reduced dead zones, and extended coverage. With data rates of up to 300 Mbps, the PK5001Z provides stable and reliable wireless connections for high-speed data and multimedia delivery.

Enhanced Security Features Forms Robust Protection

Enhanced security ensures the protection of traffic from the WAN to the LAN. Through ZyXEL's implementation of dual Ethernet firewalls (NAT and SPI), the PK5001Z is able to identify and manage malicious content and applications. And, as part of its wireless security design, the PK5001Z supports WPA2/WPA/WEP and features a hardware WPS button allowing customers to enjoy easy setup using a simple button. These features simplify the end user's ability to set up and utilize a secure, wireless network.

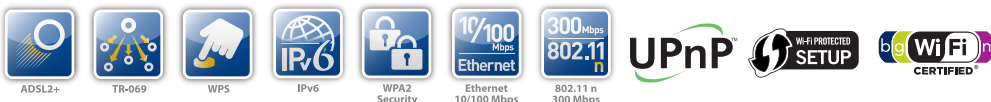
TR-069 Remote Management

The PK5001Z provides DSL Forum compliant TR-069 remote management features to ensure faster deployment by Service Providers. In addition, ZyXEL's standard onboard management options, remote provisioning, monitoring, and management features help CenturyLink reduce OPEX while enhancing customer satisfaction.

IPv6 Enabled

Many North American carrier networks are migrating from IPv4 to IPv4/IPv6 which creates the potential for stranded equipment unable to support these requirements. Certified as an IPv6-ready vendor for over three years, ZyXEL is a global-provider of equipment supporting dual-stack IP networks and provides this feature on many current ZyXEL products, including the PK5001Z.

PK5001Z 802.11n Wireless ADSL2+ Gateway





PK5001Z

802.11n Wireless ADSL2+ Gateway

Specifications

System Specifications

ADSL Compliance

- Support Multi-Mode standard (ANSI T1.413, Issue 2 ; G.dmt(G.992.1); G.lite(G.992.2))
- ITU 992.1 (G.dmt)
- ITU 992.3 ADSL2 (G.dmt.bis)
- ITU 992.4 ADSL2 (G.lite.bis)
- ITU 992.5 ADSL2+
- T1.413
- Reach-Extended ADSL (RE ADSL) G.992.3 Annex L
- SRA (Seamless Rate Adaptation)
- Auto-negotiating rate adaptation
- ADSL physical connection ATM AAL5
- Support multi-protocol over AAL5 (RFC2684/1483)
- Support PPP over ATM AAL5 (RFC2364)
- PPP over Ethernet support for DSL connection (RFC 2516)
- Support VC-based and LLC-based multiplexing
- Support up to 8 PVCs
- I.610 F4/F5 OAM

WLAN

- IEEE 802.11n compliance, backward compatible with 11b/g
- Frequency operation: 2.4 GHz
- 64/128 bits WEP data encryption
- WPA2/WPA (Wi-Fi Protected Access) security
- 4x SSID support
- Wireless scheduler
- Wi-Fi Multimedia (WMM)
- WPS (Wi-Fi Protected Setup)
- WDS
- MAC Authentication

Router

- NAT
- SIP ALG pass-through
- NAT port forwarding
- Dynamic DNS
- DHCP server/client/relay
- RIP I/RIP II support
- IGMPv1 and v2 support
- UPnP support
- IPv6 (6rd, dual stack IPv4/IPv6, DHCPv6, PPPv6, Static IPv6)
- QoS

Firewall

- Stateful Packet Inspection (SPI)
- Denial of Service (DoS) prevention

Security

- VPN (IPSec, PPTP) pass-through
- URL blocking

Management

- Standard CenturyLink GUI
- TR-064
- TR-069 HTTPS support
- Logs and statistics
- Remote management control: Telnet, FTP, Web, SSH
- CLI command via Telnet/console

Hardware Specifications

- ADSL port (Green): 1 x RJ-14
- Phone port (Black): 1x RJ-14
- Power input (12 V DC 0.5 A)
- Reset button
- WPS button
- Two 5 dBi internal antennas

Physical Specifications

- Item weight: 0.6 lbs (275 g)
- Item dimensions:
 - 7.2 (L) x 4.8 (W) x 1.5 (H) inch
 - 183 (L) x 123 (W) x 37 (H) mm
- Item and package weight: 1.7 lbs (769 g)
- Package dimensions:
 - 13 (L) x 8.9 (W) x 2.6 (H) inch
 - 333 (L) x 226 (W) x 65 (H) mm

Environmental Specifications

Operating Environment

- Temperature: 0°C to 40°C
- Humidity: 20% to 85% RH (Non-condensing)

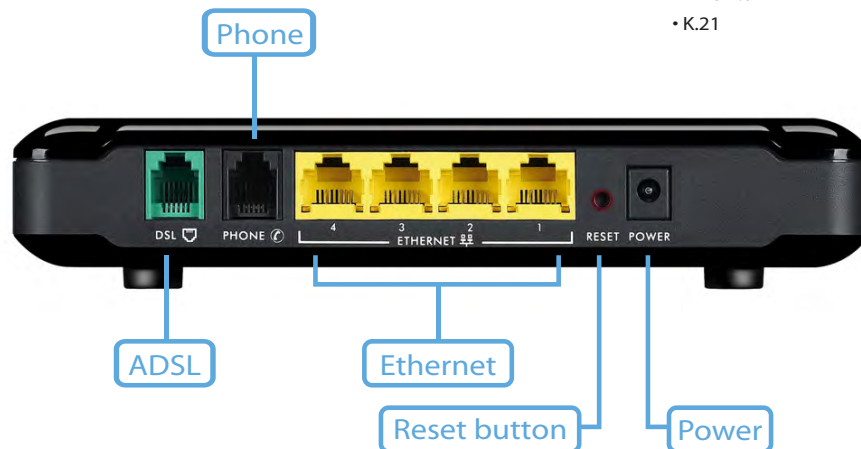
Storage Environment

- Temperature: -20°C to 60°C
- Humidity: 20% to 90% RH (Non-condensing)

Certification

- UL 60950-1
- FCC Part 15 (Class B), Part 80
- UPnP
- WPS 2.0
- K.21

Rear Panel



For more product information, visit us on the web at www.us.ZyXEL.com



Copyright © 2012 ZyXEL Communications Corp. All rights reserved. ZyXEL, ZyXEL logo are registered trademarks of ZyXEL Communications Corp. All other brands, product names, or trademarks mentioned are the property of their respective owners. All specifications are subject to change without notice.